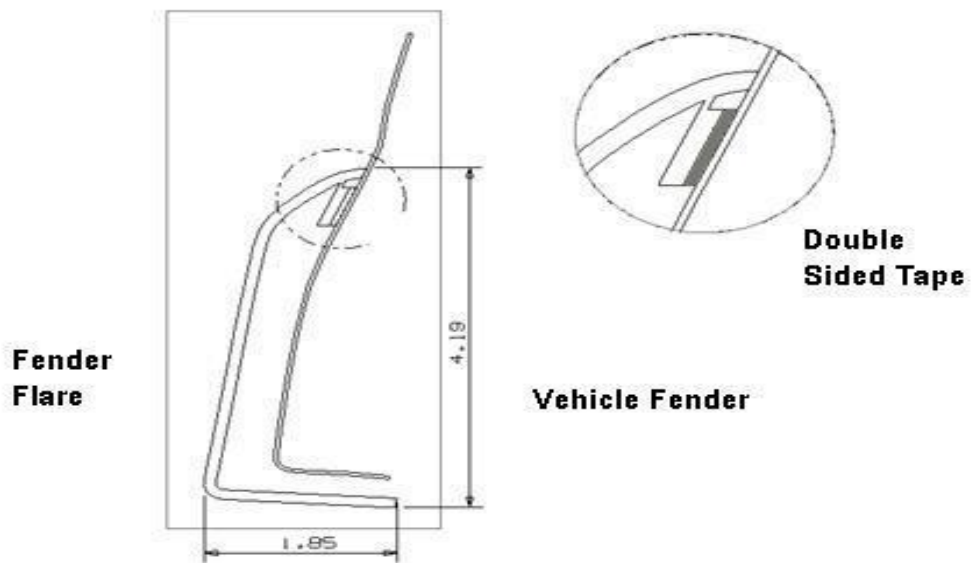


TIRE COVERAGE:- The distance between the trunk fender and the highest of points of the fender flares as indicated in the image.

PURPOSE OF THIS COVERAGE:- Help to prevent stones, pebbles, dirt, grit etc from being thrown into the air.



TIRE COVERAGE TABLE

PART #	FRONT TIRE COVERAGE	REAR TIRE COVERAGE	PART #	FRONT TIRE COVERAGE	REAR TIRE COVERAGE
FF001-PP	1 1/4"	1 3/16"	BRP001	2 13/16"	2 9/16"
FF002-PP	3/4"	1/2"	BRP004	2 1/8"	2 1/2"

TIRE COVERAGE TABLE

PART #	FRONT TIRE COVERAGE	REAR TIRE COVERAGE	PART #	FRONT TIRE COVERAGE	REAR TIRE COVERAGE
FF003-PP	1 1/4"	1"	BRP005	2 3/16"	2 13/16"
FF004-PP	3/8"	9/16"	BRP006	4"	3 3/8"
FF005-PP	7/8"	5/8"	BRP008	1"	1 3/4"
FF006-PP	1 1/4"	1 1/4"	BRP008SB	1"	1 3/4"
FF008-PP	15/16"	7/8"	BRP009	2 7/8"	1 11/16"
FF008SB-PP	15/16"	7/8"	BRP010	2 7/8"	1 11/16"
FF009-PP	3/4"	5/8"	BRP012	1 15/16"	2 5/16"
FF010-PP	3/4"	5/8"	BRP015	1 3/4"	2 5/16"
FF011-PP	3/4"	3/4"			
FF012-PP	1/4"	1/2"			
FF013-PP	3/4"	7/16"			
FF014-PP	1 11/16"	1 3/4"			
FF015-PP	3/8"	1/2"			
FF016-PP	11/16"	15/16"			
FF017-PP	13/16"	3/4"			
FF018-PP	3/4"	11/16"			
FF019-PP	3/4"	11/16"			
FF020-PP	1 3/4"	1 7/8"			